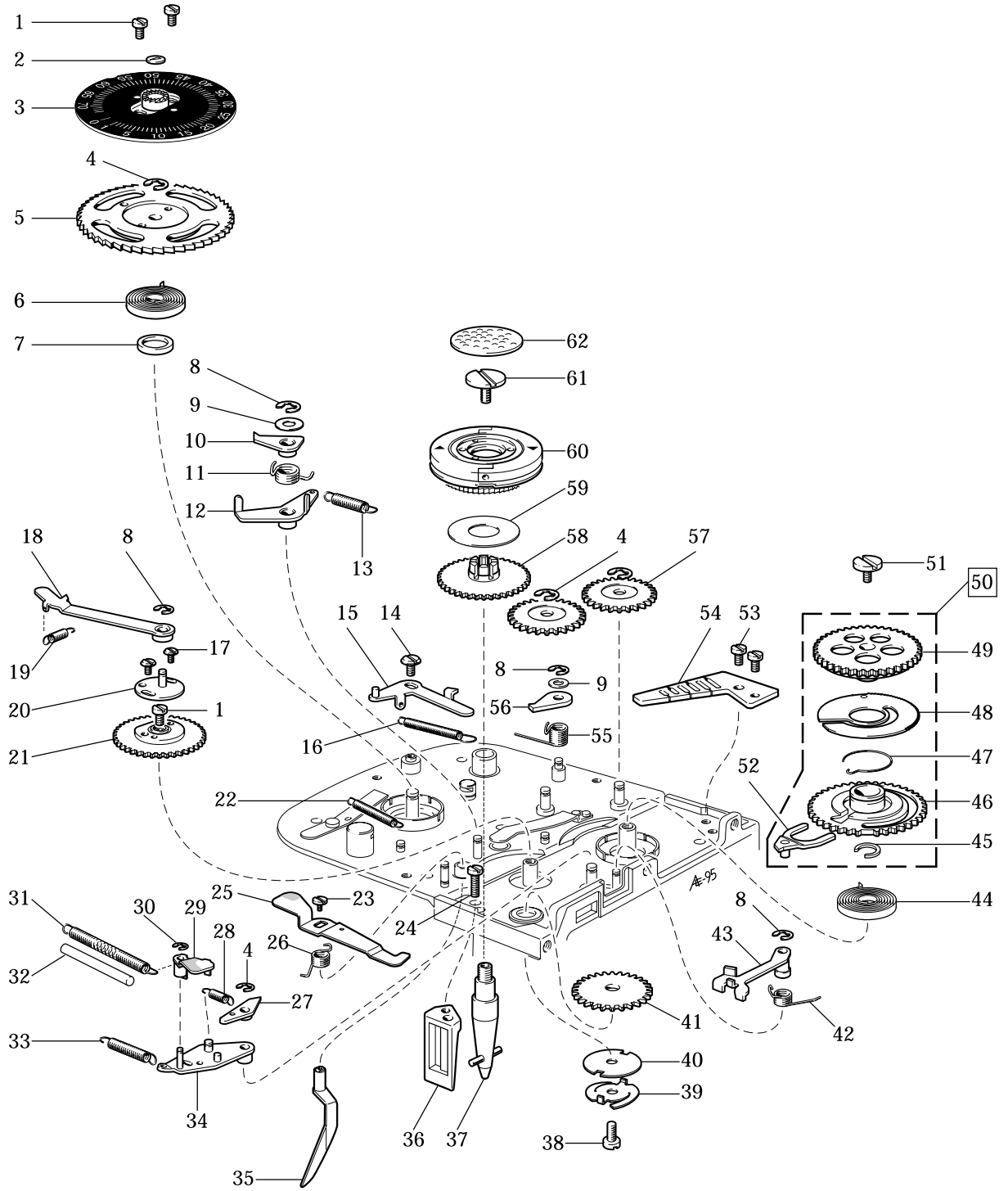


Magazin 70

Pos No.	Pcs	Spare Part No.	Description	Remark
1	1	30 759	Magazine support	Previous type magazine support please see Service Info 6/93.
	1	30 510	Magazine support	
2	1	13 686	Zero button	Please state serial No. Previous type outer plate please see Service Info 6/93.
3	1	810 611	Washer	
4	1	21 413	Plate spring	
5	2	831 305	Rivet	
6	1	21 414	Return stop	
7	1	835 325	Pin	
8	2	14 309	Light seal	
9	1	21 535	Exposure lock	
10	1	13 820	Spring	
11	2	13 821	Plate spring	
12	1	13 508	Foil	
13	1	13 067	Light trap	
14	1	Z410 68	Magazine slide	
15	1	12 295	Ribbon	
16	1	40 212	Outer plate	
	1	13 911	Outer plate	
17	1	812 107	Pin	
18	1	22 710	Picture frame	
19	13	823 015	Screw	
20	4	833 105	Rivet	
21	1	814 752	Spring	
22	1	823 017	Screw	
23	1	20 843	Locking arm	
24	1	20 684	Locking spring	
25	1	30 676	Cover	

Magazine 70



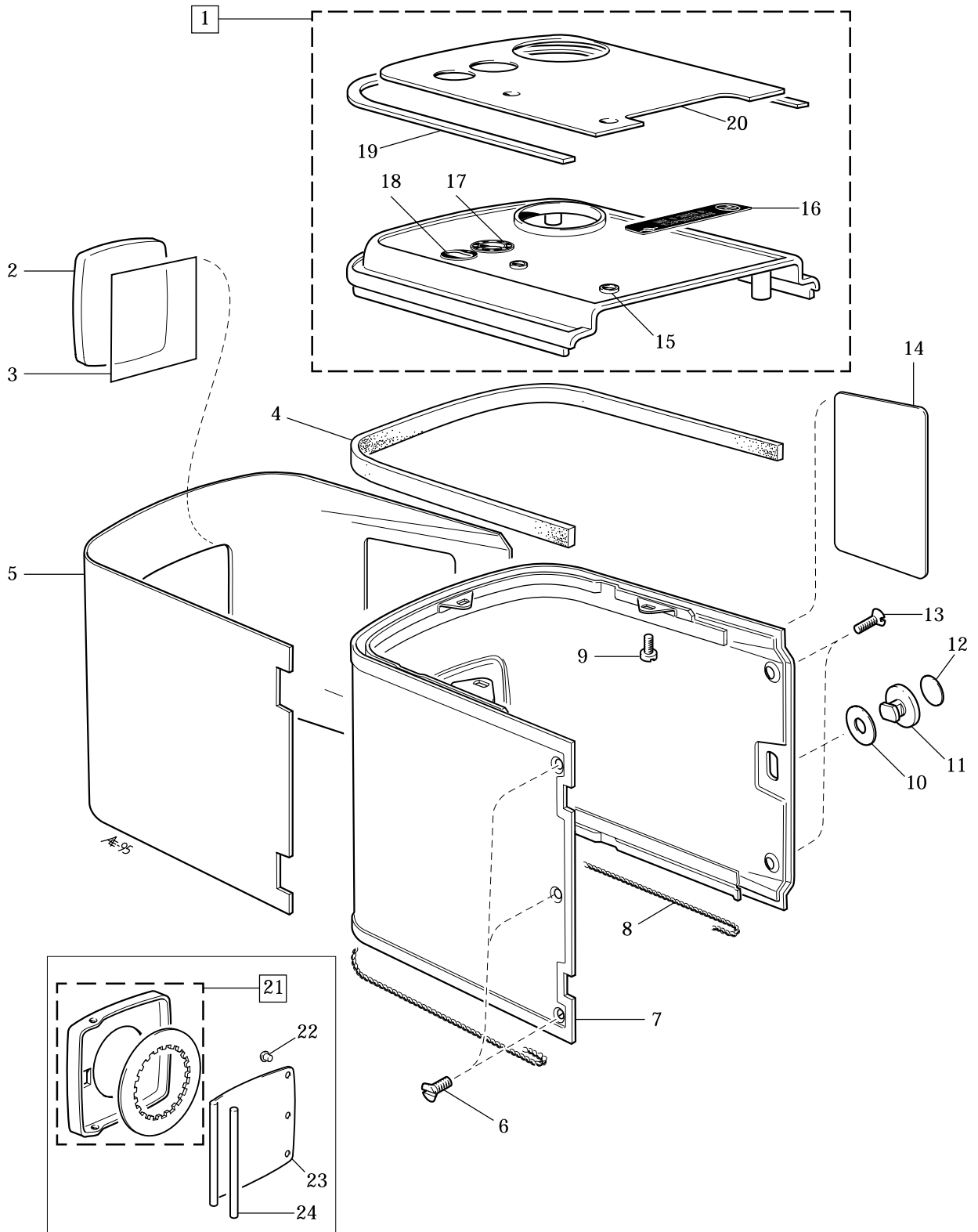
Magazine 70

Pos No.	Pcs	Spare Part No.	Description	Remark
1	3	821 004	Screw	
2	1	13 868	Name plate	
3	1	13 670	Number disc	
4	4	817 119	Clip	
5	1	13 669	Counter wheel	
6	1	21 407	Coil spring	
7	1	810 903	Washer	
8	4	817 115	Clip	
9	2	810 506	Washer	
10	1	13 679	Pawl	
11	1	816 708	Spring	
12	1	13 672	Zero-lever	
13	1	814 307	Spring	
14	1	821 035	Screw	
15	1	13 671	Catch	
16	1	814 518	Spring	
17	2	821 205	Screw	
18	1	13 673	Arm	
19	1	814 507	Spring	
20	1	13 666	Cam	
21	1	13 665	Gear	
22	1	814 309	Spring	
23	1	821 230	Screw	
24	1	820 020	Screw	
25	1	21 408	Film signal	
26	1	816 710	Spring	
27	1	13 676	Catch	
28	1	814 303	Spring	
29	1	13 677	Exposure signal	
30	1	817 112	Clip	
31	1	814 310	Spring	
32	1	812 208	Pin	
33	1	814 515	Spring	
34	1	13 675	Cam plate	
35	1	13 674	Film feeler	
36	1	21 409	Film guide	
37	1	13 668	Film feeder	
38	1	821 830	Screw	
39	1	21 434	Spring	
40	1	21 433	Washer	
41	1	21 400	Gear	
42	1	816 711	Spring	
43	1	13 678	Signal catch	
44	1	21 406	Coil spring	
45	1	13 700	Clip	
46	1	21 447	Gear, lower	
47	1	13 699	Spring	
48	1	13 681	Cam disc	
49	1	21 458	Return coupling	
50	1	21 532	Gear, top	
51	1	821 011	Screw	
52	1	13 682	Catch	
53	2	820 014	Screw	

Magazine 70

Pos No.	Pcs	Spare Part No.	Description	Remark
54	1	21 432	Return stop	
55	1	816 713	Spring	
56	1	13 687	Catch	
57	2	13 667	Gear	
58	1	21 403	Gear	
59	1	810 927	Washer	
60	1	21 457	Handle	
61	1	821 013	Screw	
62	1	12 288	Leather	

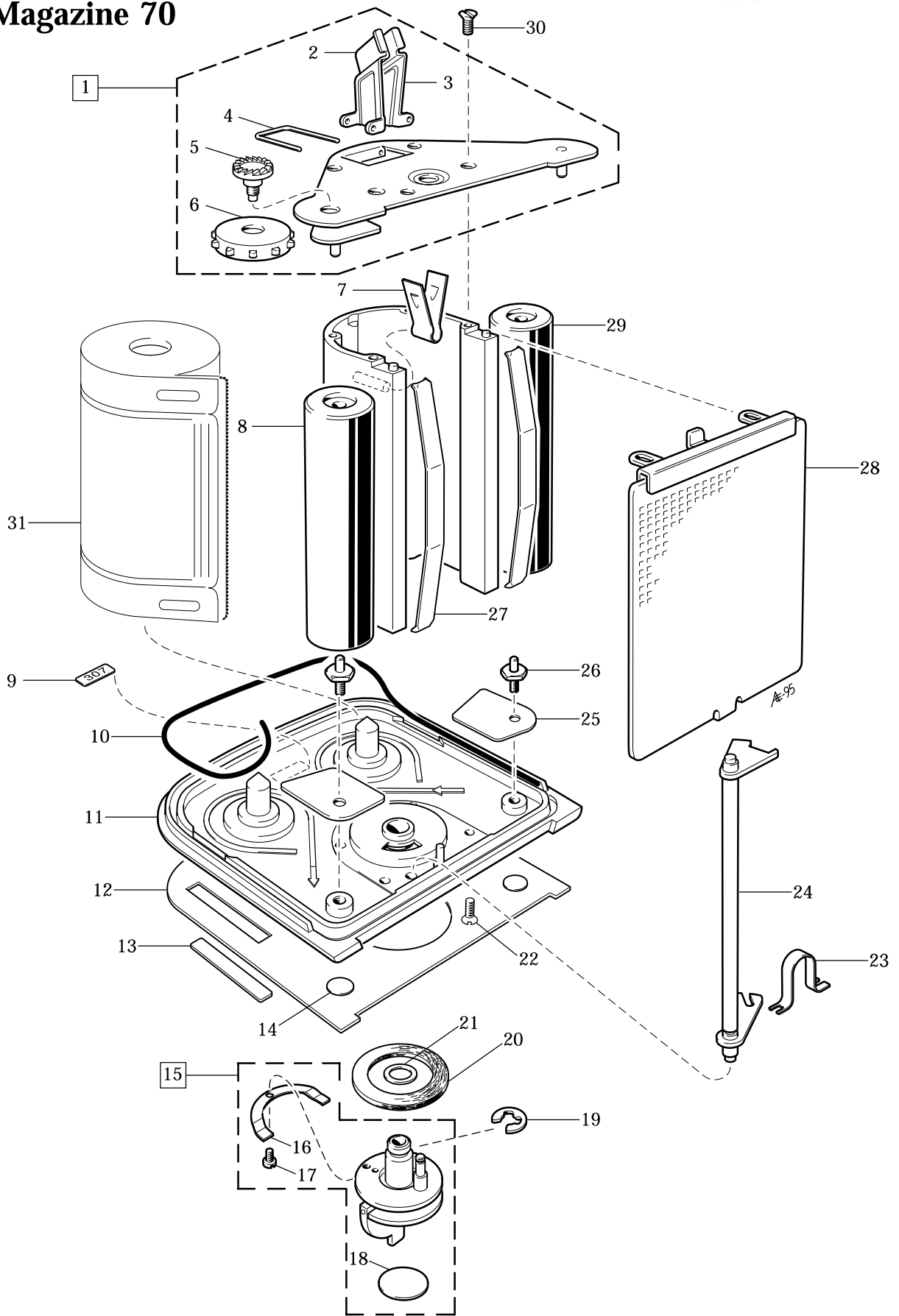
Magazine 70



Magazine 70

Pos No.	Pcs	Spare Part No.	Description	Remark
1	1	21 459	Cover right, complete	Chrome Black
	1	22 119	Cover right, complete	
2	1	308 328	Film indicator	Chrome Black
3	1	308 507	Tape	
4	1	12 942	Light seal	
5	1	30 459	Leather	
6	3	823 013	Screw	
7	1	50 115	Magazine shell	
	1	50 147	Magazine shell	
8	1	22 409	Sealing cord	
9	3	820 013	Screw	
10	1	810 761	Teflon washer	
11	1	22 356	Button	
12	1	22 442	Sign plate	
13	3	823 017	Screw	
14	1	21 410	Memo tablet	
15	2	12 492	Window	
16	1	13 702	Name plate	
17	1	21 420	Ring	
18	1	13 680	Counter window	
19	1	21 423	Leather	
20	1	21 422	Leather	
21	1	21 456	Cover	Previous type film indicator
22	3	832 203	Rivet	
23	1	21 418	Plate spring	
24	1	13 692	Shaft	

Magazine 70



Magazine 70

Pos No.	Pcs	Spare Part No.	Description	Remark
1	1	21 394	Plate, compl.	
2	1	21 375	Holder	
3	1	21 376	Holder	
4	1	13 650	Fastening	
5	1	21 378	Coupling	
6	1	21 377	Tooth wheel	
7	1	13 655	Spring	
8	1	13 660	Roller, short	
9	1	14 261	Number plate	
10	1	14 183-2	Sealing cord	
11	1	21 396	Endplate + Intermed. part	Chrome
	1	22 121	Endplate + Intermed. part	Black
12	1	21 387	Leather	
13	1	13 268	Name plate	
14	2	12 722-0.30	Shim	
15	1	12 728	Lock	
16	1	12 267	Spring	
17	1	821 060	Screw	
18	1	12 288	Leather	
19	1	817 140	Clip	
20	1	12 268	Felt ring	
21	1	810 925	Washer	0.1 mm
	1	810 928	Washer	0.2 mm
	1	810 933	Washer	0.5 mm
22	5	824 611	Screw	
23	1	12 540	Spring	
24	1	13 662	Locking shaft	
25	2	21 389	Film guide	
26	2	12 273	Journal	
27	2	21 388	Plate spring	
28	1	13 659	Pressure plate	
29	2	13 661	Roller, long	
30	4	823 015	Screw	
31			Film cassette	Code No. 51039
		40 211	Spool holder, compl.	Chrome
		40 282	Spool holder, compl.	Black